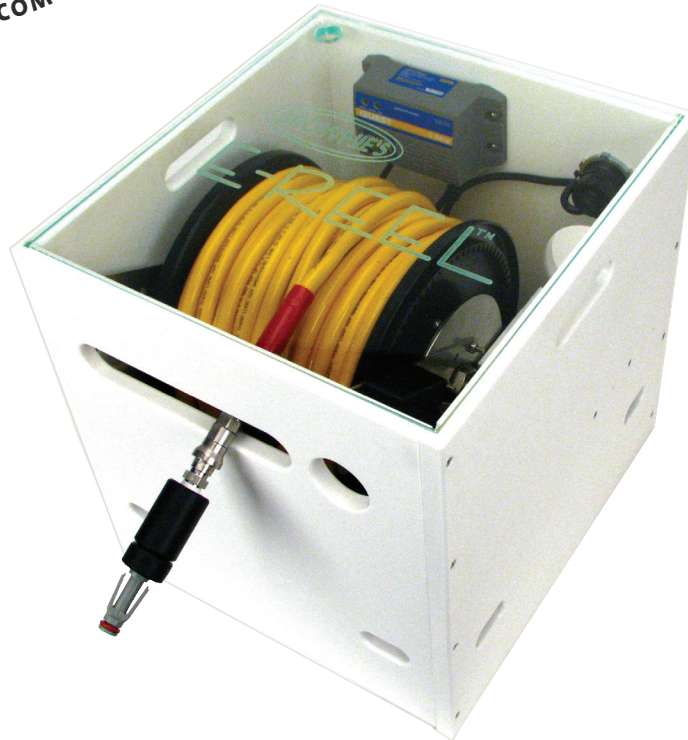




## E-Reel™ Cube

(Use in conjunction with any Brownie's Compressor)



### AC and DC Versions Available

#### E-Reel™ Cube

Engineered and built for clean, long-life boating applications

- King Starboard®
- Proprietary Glendinning™/Brownie level-winding reel
- Recoils 150 feet of diver air hose at the push of a button
- Integrated battery power supply with maintenance charger (50/60 Hz and 100-240 Volts compatible)

#### Applications

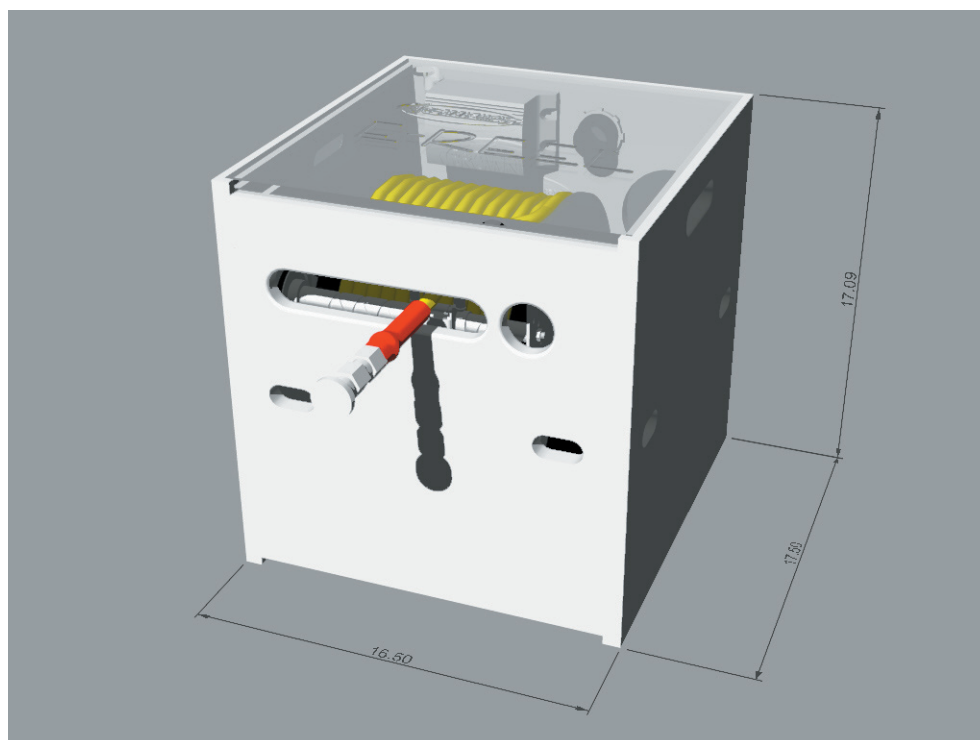
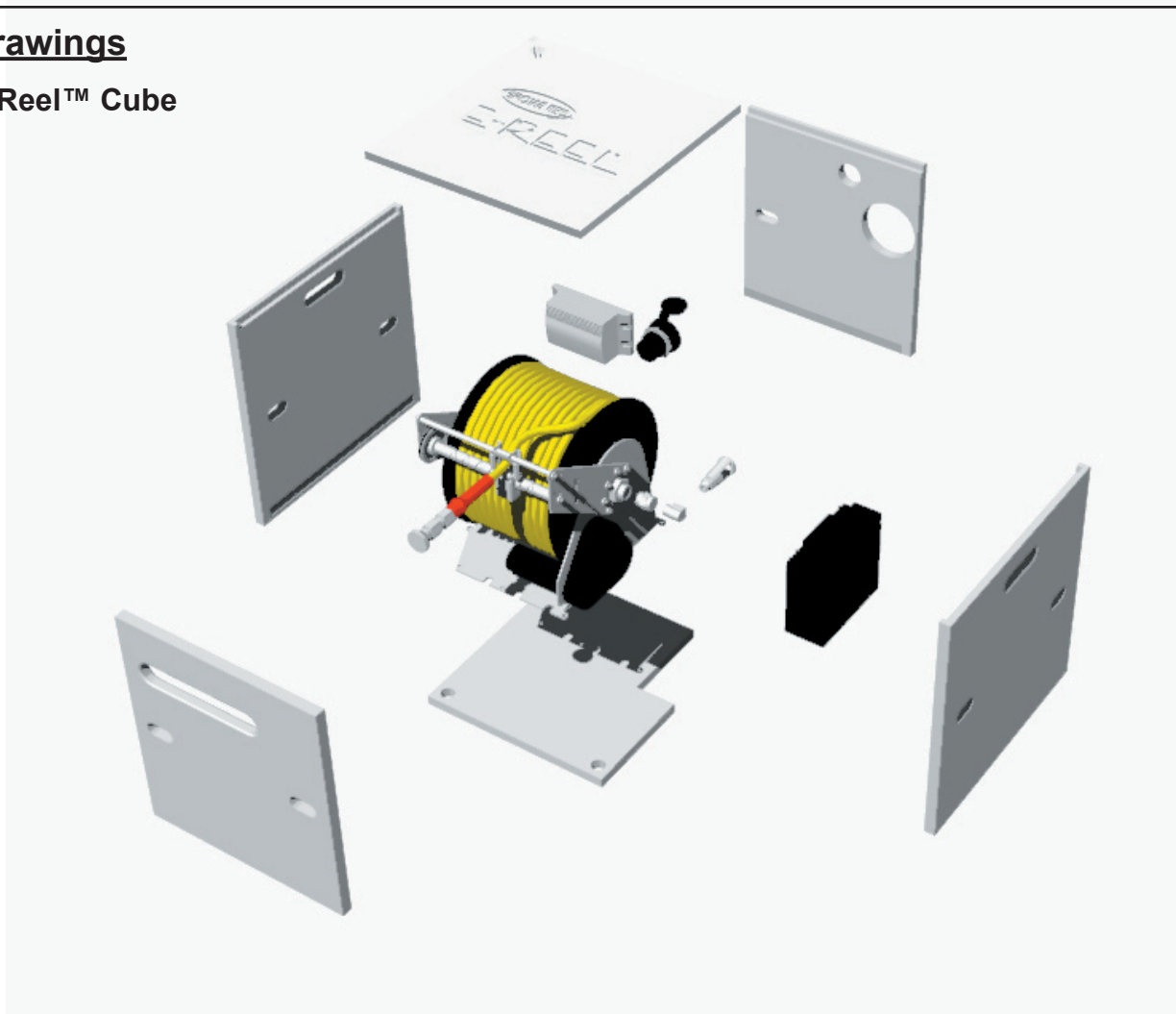
E-Reel™ Cube is our newest in a full line of boat diving solutions. This King Starboard® cube houses a Glendinning™ level-winding reel that easily deploys and recoils 150 feet of diver air hose. The unit is compact, fully portable and can be easily secured on the deck of almost any size boat using convenient tie-down points located on all sides. The E-Reel™ Cube can be powered by a variety of Brownie's air compressors including high and low pressure systems and even scuba tanks. The E-Reel™ Cube combines the convenience of the Built-In Boat Diving System with the portability of the Floating Hookah units. It is compact, functional and easy-to-use for both pleasure and maintenance diving.

#### Capacity

- 1 to 4 divers depending on selection of air supply
- Inflation of inflatable boats, fenders, tires, water trampoline and other toys
- Deck / Window dry-down
- Shop tool-air supply

## Drawings

### E-Reel™ Cube



Information is current at the time of publishing and may change at any time without prior notification or obligation.